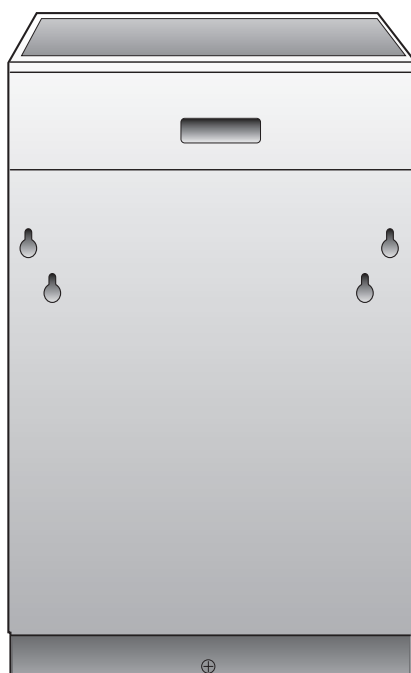


FAVORIT 88070 VIL

Dishwasher

Instruction book



PERFEKT IN FORM UND FUNKTION

AEG

Dear customer,

Please read this User Information carefully and keep it to refer to at a later date.

Pass it on to any subsequent owner of the appliance.

The following symbols are used in the text:



Safety instructions

Warning! Notes that concern your personal safety.

Attention! Notes that show how to avoid damage to the appliance.



Useful tips and hints



Environmental information



Your dishwasher has the new washing system "IMPULSE WASHING".

With this dishwashing system the motor speed and spray pressure are varied during the wash cycle to achieve better cleaning of the dishes. It is for this reason that the noise level varies during the dishwashing cycle.

CONTENTS

Operating instructions	4
Safety instructions	4
Disposal	6
Economical and ecological dishwashing	6
Description of the appliance	7
The control panel	8
Prior to using for the first time	13
Setting the water softener	13
Filling the with salt	15
Rinse aid	16
In daily use	18
Loading cutlery and dishes	18
The lower basket	19
The cutlery basket	20
The upper basket	21
Adjusting the height of the upper basket	22
Use of detergent	23
Different kinds of detergent	24
Washing programmes	26
Starting a washing programme	27
Unloading the dishwasher	29
Maintenance and cleaning	30
Cleaning the filters	30
What to do, when...	33
Service	36
Technical specifications	37
Installation instructions	38
Building-in	38
Levelling	38
Fixing to the adjacent units	38
Water supply connections	39
Water inlet hose with safety valve	40
Water outlet hose connection	41
Electrical connection	42
Hints for test centres	43

Operating instructions

OPERATING INSTRUCTIONS



Safety instructions

The safety of AEG electrical appliances conforms to accepted rules of technology and the Appliance Safety Act. We as manufacturers, however, see ourselves as being obliged to familiarise you with the following safety instructions.



It is most important that this instruction book should be retained with the appliance for future reference. Should the appliance be sold or transferred to another owner, or should you move house and leave the appliance, always ensure that the book is left with the appliance in order that the new owner can get to know the functioning of the appliance and the relevant safety information. This information has been provided in the interest of your safety. You MUST read it carefully before installing or using the appliance.

Installation

- Check your dishwasher for any transport damage. Never connect a damaged machine. If your dishwasher is damaged, you should contact your supplier.
- For safety reasons it is dangerous to alter the specifications or attempt to modify this product in any way.
- Any electrical and plumbing work required to install this appliance should be carried out by a qualified and competent person.
- Care must be taken to ensure that the appliance does not stand on the electrical supply cable.
- The sides of the dishwasher must never be drilled to prevent damage to hydraulic components.

Child safety

- This appliance is designed to be operated by adults.
- Children should not be allowed to tamper with the controls or play with the product.
- Packaging parts may be dangerous for children, who could even be suffocated! You should therefore keep all packaging well away from children.

Operating instructions

- The water in your dishwasher is not for drinking. Detergent residues may still be present in your machine. Keep children well away from your dishwasher when the door is open.
- Keep all detergents in a safe place out of children's reach.

Your dishwasher in day-to-day use

- Items that are contaminated by petrol, paint, steel or iron debris, corrosive, acidic or alkaline chemicals must not be washed in this dishwasher.
- Under no circumstances should you open the door whilst the appliance is in operation, especially during the washing phase, hot water may escape. However, if the door is opened, a safety device ensures that the machine stops.
- Only use products (detergent, salt and rinse aid) specifically designed for use in dishwashers.
- Long bladed knives stored in an upright position are a potential hazard.
- Long and/or sharp items of cutlery such as carving knives must be positioned horizontally in the upper basket.
- Ensure that the door of the dishwasher is always closed when it is not being loaded or unloaded. In this way you will avoid anybody tripping over the open door and hurting themselves.
- Do not sit or stand on the open door.
- Isolate the appliance from the power supply and turn off the water supply after use.
- This product should be serviced by an authorised service engineer, and only genuine spare parts should be used.
- Under no circumstances should you attempt to repair the machine yourself. Repairs carried out by inexperienced persons may cause injury or serious malfunctioning. Contact your local Service Force Centre. Always insist on genuine spare parts.

Operating instructions



Disposal

Dispose of the dishwasher packaging material correctly.
All packaging materials can be recycled.

Plastic parts are marked with standard international abbreviations:

- >PE< for polyethylene, e.g. sheet wrapping material.
- >PS< for polystyrene, e.g. padding material (always CFC-free).
- >POM< for polyoxymethylene, e.g. plastic clips.

Cardboard packaging is manufactured from recycled paper and should be deposited in the waste paper collection for recycling.

As and when you cease to use your dishwasher and withdraw it from service, you should render it unserviceable before having it disposed of.



Warning! Children at play could lock themselves in your dishwasher or otherwise endanger their lives. Therefore cut off the power supply cable and make the door closing device unusable to prevent children from being trapped inside.

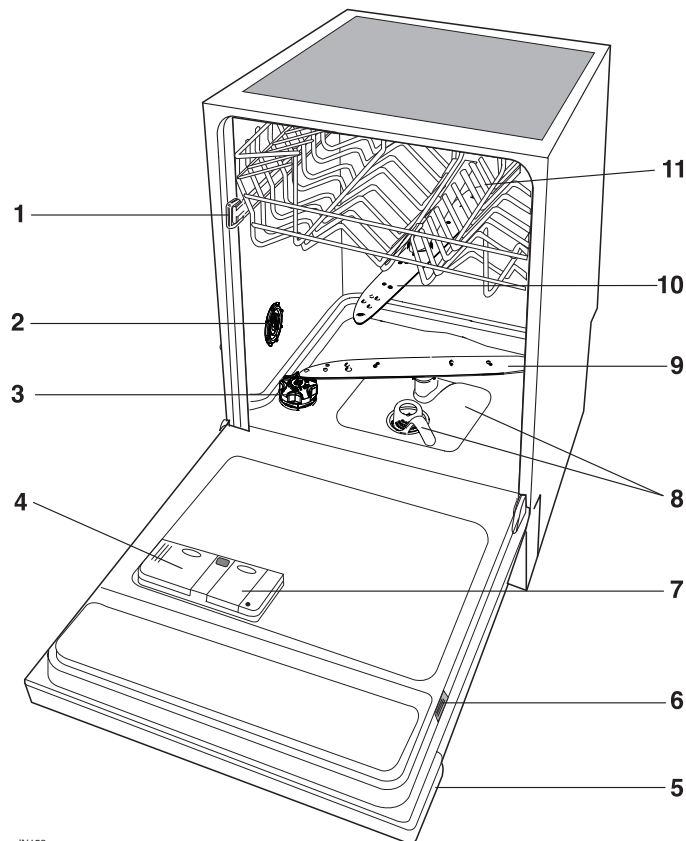
For the disposing of the appliance please take it to a recycling centre or to your dealer who will, for a small contribution to the costs, dispose it for you.



Economical and ecological dishwashing

- Ensure that the water softener is correctly adjusted.
- Do not pre-wash under running water.
- Select the wash programme to suit the nature and degree of the soiling on the dishes.
- Do not use more detergent, special salt and rinse aid than is recommended in these operating instructions and by the manufacturer of the respective product.

Description of the appliance

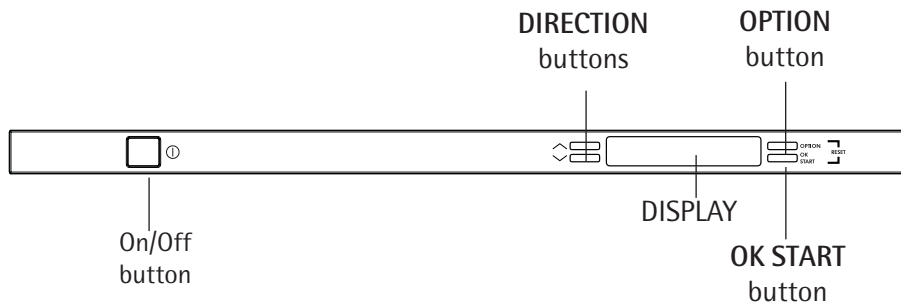


IN153

- | | |
|--------------------------|------------------------|
| 1. Upper basket stop | 7. Rinse aid dispenser |
| 2. Water hardness switch | 8. Filters |
| 3. Salt container | 9. Lower spray arm |
| 4. Detergent dispenser | 10. Upper spray arm |
| 5. Control panel | 11. Upper basket |
| 6. Rating plate | |

Operating instructions

The control panel



DIRECTION buttons: these 2 buttons have a double function:

- a) selecting within the Programmes menu
- b) selecting within the Options menu and the submenu.

“OK START” button: is necessary for:

- confirm / memorize any option,
- start a washing programme.

NOTE: the OK START and OPTION buttons, if pressed simultaneously have the RESET function.

This function allows to:

- cancel a washing programme in progress,

It is also possible to return to the factory setting for the following options:

LANGUAGE (factory setting ENGLISH).

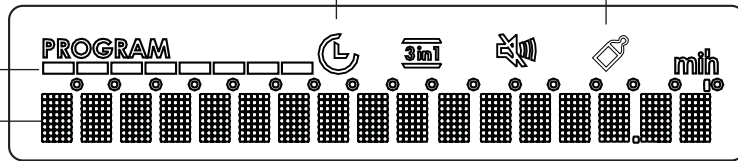
BRIGHTNESS (factory setting: level 10).

In setting mode press for about 6 second these 2 buttons simultaneously; the message LANGUAGE ENGLISH will appear in the display.

Operating instructions

DISPLAY

Symbols: indicate the various options







In this row several details are displayed:

- setting mode, guide to the selection of the washing programmes, duration time of the programme, options (when together with the washing programme one or more options are set, the update of the programme duration will occur automatically).
- Once the programme has started, indicates the sequence of the running phase and the running time of the programme in progress.

Washing phases: during the progress of the programme these little bars indicate the phase of the washing programme: prewash, main wash, rinses, drying.

The symbols have the following meaning:


	Delay start: fixed in setting mode, flashing when in progress
	3 in 1 detergent option: is illuminated when the function for the use of 3 in 1 combi detergents is active.
	Exclusion of the volume for alarm and end of programme audible signals (level 0).
	Is illuminated when the 70°C Intensive washing programme is set. This programme makes it possible to thoroughly disinfect dishes and glasses, such as baby bottles or jam jars.

Operating instructions

OPTION button: press the button to enter a menu of options, press again to exit from menu.


How to set the options

1. Press **OPTION button**
2. Press **DIRECTION** buttons until the desired option is displayed:
 - **DELAY START**
 - **3 IN 1**
 - **SETTINGS . . .**
3. Press **OK START** to select the option.
4. Press **DIRECTION** buttons until the selection of the desired submenu is displayed.

MENU	SUBMENU
DELAY START	Allows the start of the washing programme to be delayed from 1 hour up to 19 hours.
3 IN 1	<p>Set the dishwasher for the use of conventional, concentrated detergents or combi detergents (3 in 1)</p> <p>YES: function activated. The symbol  appears in the display.</p> <p>With the activation of this function, the rinse aid dispenser and salt container are automatically deactivated and consequently also the display indications for the refilling of salt and rinse aid are deactivated.</p> <p>NO:- for conventional, alkaline detergents with caustic components - for low alkaline concentrated detergents with natural enzymes.</p>

SETTINGS ... allows you to enter another menu of options with relative submenu (see following table): to set the options it is necessary to repeat the setting from point 3.

Operating instructions

MENU	SUBMENU
LANGUAGE	Allows you view messages that appear in the display in the required language (Factory setting: english)
WATER HARDNESS	Allows you to set electronically the water softener according to the hardness of the local area water: water hardness is measured in 10 levels.
RINSE AID	Allows you to deactivate or activate the dosage of rinse aid: - YES rinse aid dosage activated, - NO rinse aid dosage deactivated.
SOUND VOLUME	Allows you to adjust the volume of the alarm signals and of the end of programme signal (from 0 to 5). Level 0 means the deactivation of the volume of all signals and the symbol  appears in the display.
BRIGHTNESS	Allows you to increase or decrease the brightness of the background of the display, 10 different levels can be selected.

5. Press **OK START** button: the option is memorised.
 6. For each option it is necessary to repeat the setting from point 2.
 7. To exit from menu, press **OPTION** button.
- If a programme has been set:
- press **OK START** button and close the door: the programme will start automatically.
- If a programme has not been set:
- press **DIRECTION** buttons until is displayed the desired washing programme
 - press **OK START** button and close the door: the programme will start automatically.

Operating instructions

The options can be set only before the start of a washing programme. Once set, these options will remain activated also for the following cycles, until they will be deactivated, except for **DELAY START**.

First use

The first time the dishwasher is switched on, it is possible to select a different language in which the machine will visualize the messages on the display.

The factory setting is in english, therefore the message **LANGUAGE ENGLISH** will appear in the display; the word **ENGLISH** flashes.

Press **SCORRIMENTO MENU** buttons until the language required appears in the display.

To confirm the selection press **OK START** button.

If, instead of a different language, a washing programme is immediately set, the dishwasher will memorize the display of the message in english.

It will be always possible to select another language another time, simply follow the instructions given for the setting of the options.

Prior to using for the first time

Before using your dishwasher for the first time:

1. Ensure that the electrical and water connections comply with the installation instructions
2. Remove all packaging from inside the appliance
3. Set the water softener
4. Pour 1 litre of water inside the salt container and then fill with salt
5. Fill the rinse aid dispenser.

Setting the water softener

The dishwasher is equipped with a water softener designed to remove minerals and salts from the water supply, which would have a detrimental or adverse effect on the operation of the appliance.

The higher the content of these salts, the harder your water is.

Water hardness is measured in equivalent scales, German degrees, French degrees and mmol/l (millimol per litre).

The softener should be adjusted according to the hardness of the water in your area. Your local Water Authority can advise you on the hardness of the water in your area.

The water softener must be set in both ways: manually, using the water hardness switch and electronically, using the function push buttons on the control panel.

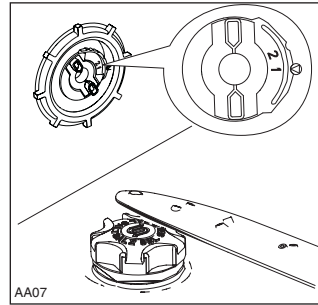
Water hardness				Adjusting the water hardness setting		Level indicated in the display	Use of salt
°dH (german degrees)	°TH (french degrees)	mmol/l (millimol per litre, international unit for the hardness of water)	Range	Manually	Electronically		
51 - 70	91 - 125	9,0 - 12,5	IV	2	10	10	yes
43 - 50	76 - 90	7,6 - 8,9			9	9	yes
37 - 42	65 - 75	6,5 - 7,5			8	8	yes
29 - 36	51 - 64	5,1 - 6,4			7	7	yes
23 - 28	40 - 50	4,0 - 5,0			6	6	yes
19 - 22	33 - 39	3,3 - 3,9	III	1	5	5	yes
15 - 18	26 - 32	2,6 - 3,2			4	4	yes
11 - 14	19 - 25	1,9 - 2,5	II		3	3	yes
4 - 10	7 - 18	0,7 - 1,8	I/II		2	2	yes
< 4	< 7	< 0,7	I		1	1	no

Operating instructions

a) Setting manually

1. Open the dishwasher door.
2. Remove the lower basket from the dishwasher.
3. Turn the water hardness switch to position 1 or 2 (see table).
4. Replace the lower basket.

The dishwasher is factory set at position 2.



b) Setting electronically

The dishwasher is factory set at level 5.

With the help of the table, set the level corresponding to hardness of the water in your area.

1. Press **OPTION** button
2. Press **DIRECTION** buttons until **SETTINGS...** is displayed
3. Press **OK START** button
4. Press **DIRECTION** buttons until **WATER HARDNESS** is displayed
3. Press **OK START** button
4. Press **DIRECTION** buttons until the level corresponding to hardness of water in your area is displayed.
5. Press **OK START** button to confirm the setting
6. Press **OPTION** button to exit the Options menu.

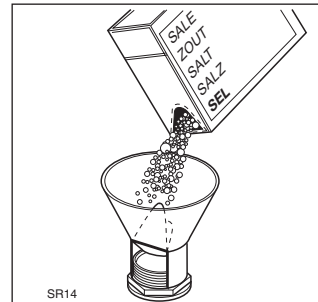
Filling the with salt

i Only use salt specifically designed for use in dishwashers. All other types of salt not specifically designed for use in a dishwasher, especially table salt, will damage the water softener. Only fill with salt just before starting one of the complete washing programmes.

This will prevent any grains of salt or salty water, which may have been spilt, remaining on the bottom of the machine for any period of time, which may cause corrosion.

To fill:

1. Open the door, remove the lower basket and unscrew the cap of the salt container by turning it anticlockwise.
2. Pour 1 litre of water inside the container (this is necessary only before filling with salt for the first time).
3. Using the funnel provided, pour in the salt until the container is full.
4. Replace the cap making sure that there is no trace of salt on the screw thread or on the gasket.
5. Screw on the cap tightly turning it clockwise until it stops with a click.



The salt container will require topping up periodically.

The salt refilling is indicated by a flashing message in the display **REFILL SALT**.

This occurs only during the setting mode and at the end of the washing programme: during the progress of the washing programme the indication for salt refilling is not active.

i The salt indicator light on the control panel can remain illuminated for 2-6 hours after the salt has been replenished, assuming the dishwasher remains switched on. If you are using salts that take longer to dissolve then this can take longer. The function of the machine is not affected.

Do not worry if water over flows from the unit when filling with salt, this is quite normal.

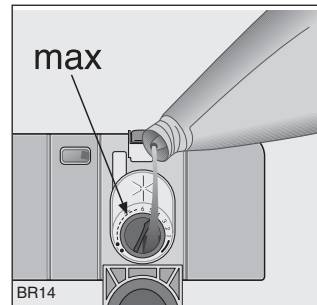
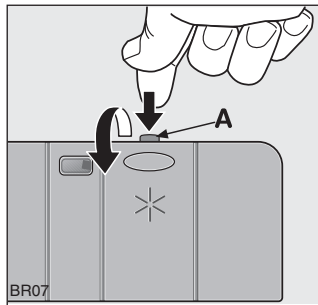
Operating instructions

Rinse aid

Rinse aid is automatically added during the last rinse, ensuring thorough rinsing, and spot and streak free drying. The dispenser, which is positioned inside the door, holds about 110 ml of rinse aid, which is sufficient for 16 - 40 dishwashing programmes, depending upon the dosage setting.

Filling with rinse aid

1. Open the container by pressing the release button (A).
2. Add the rinse aid until the container is completely full. The maximum level for filling is indicated by "max".



Ensure that the lid is closed after every refill.

- i** Clean up any rinse aid spilt during filling with an absorbent cloth to avoid excess foaming during the next wash.

Only use branded rinse aid for dishwashers. Never fill the rinse aid dispenser with any other substances (e.g. dishwasher cleaning agent, liquid detergent). This would damage the appliance.

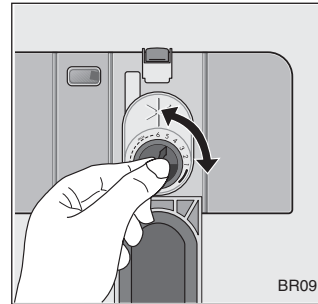
Adjusting the dose

According to the finish and drying results obtained, adjust the dose of rinse aid by means of the 6 position selector (position 1 minimum dosage, position 6 maximum dosage).

The dose is factory set in position 4.

Increase the dose if there are drops of water or lime spots on the dishes after washing.

Reduce it if there are sticky whitish streaks on the dishes or a bluish film on glassware or knife blades.



Top up the rinse aid when **REFILL RINSE AID** appears in the display. This occurs only during the setting mode and at the end of the washing programme: during the progress of the washing programme the indication for rinse aid refilling is not active.

If you are using dishwasher detergent that already contains rinse aid, the detergent including the rinse aid must be placed in the detergent compartment. In this case the rinse aid inflow must be deactivated in order to avoid a double dosage.

Deactivation/activation of the inflow of rinse aid

Factory setting: RINSE AID YES

to deactivate the dosage:

1. Press **OPTION** button
2. Press **DIRECTION** buttons until **SETTINGS...** is displayed
3. Press **OK START** button
4. Press **DIRECTION** buttons until **RINSE AID** is displayed
3. Press **OK START** button
4. Press **DIRECTION** buttons until **NO** is displayed.
5. Press **OK START** button to confirm the setting
6. Press **OPTION** button to exit the Options menu.

Operating instructions

In daily use

- Check if it's necessary to refill with special salt or rinse aid.
- Load cutlery and dishes into the dishwasher.
- Fill with dishwasher detergent.
- Select a wash programme suitable for the cutlery and dishes.
- Start the wash programme.

Loading cutlery and dishes



Sponges, household cloths and any object that can absorb water may not be washed in the dishwasher.

- Before loading the dishes, you should:
 - Remove large left-overs.
 - Soften remnants of burnt food in pans.
- When loading the dishes and cutlery, please note:
 - Dishes and cutlery must not impede the rotation of the spray arms.
 - Load hollow items such as cups, glasses, pans etc, with the opening downwards so that water cannot collect in the container or a deep base.
 - Dishes and items of cutlery must not lie inside one another, or cover each other.
 - To avoid damage to glasses, they must not touch.
 - Lay small objects in the cutlery basket.
- **Plastic items and pans with teflon have a tendency to retain water drops; these items will not dry as well as porcelain and steel items.**

Operating instructions

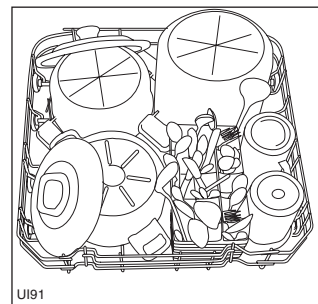
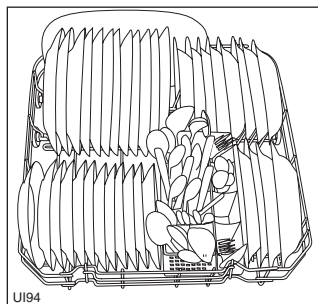
For washing in the dishwasher the following cutlery/dishes	
are not suitable:	are of limited suitability:
<ul style="list-style-type: none"> • Cutlery with wooden, horn, china or mother-of-pearl handles • Plastic items that are not heat resistant • Older cutlery with glued parts that is not temperature resistant • Bonded cutlery items or dishes • Pewter or copper items • Lead crystal glass • Steel items subject to rusting • Wooden platters • Items made from synthetic fibres 	<ul style="list-style-type: none"> • Only wash stoneware in the dishwasher if it is specifically marked as being dishwasher-safe by the manufacturer. • Glazed patterns may fade if machine washed frequently. • Silver and aluminium parts have a tendency to discolour during washing. Left-overs, e.g. egg white, egg yolk and mustard often cause discolouring and staining on silver. Therefore always clean left-overs from silver immediately, if it is not to be washed straight after use. • Some types of glass can become dull after a large number of washes.

Open the door and slide out the baskets to load the dishes.

The lower basket

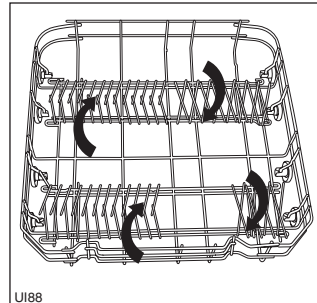
The lower basket is designed to take saucepans, lids, plates, salad bowls, cutlery etc.

Serving dishes and large lids should be arranged around the edge of the basket, ensuring that the spray arms can turn freely.



Operating instructions

The rows of prongs on the lower basket can be easily lowered to allow you to load pots, pans and bowls.



The cutlery basket



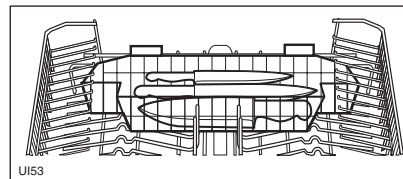
Long bladed knives stored in an upright position are a potential hazard.

Long and/or sharp items of cutlery such as carving knives must be positioned horizontally in the upper basket.

Take care when loading or unloading sharp items such as knives.

Removable knife basket

Long and/or sharp items of cutlery such as carving knives must be placed horizontally in the removable knife basket, which is positioned at the rear of the upper basket.

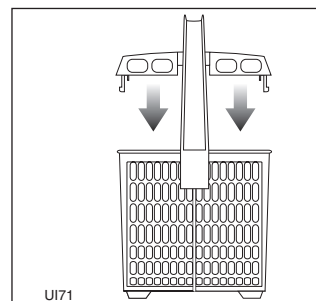


Forks and spoons should be placed in the removable cutlery basket with the handles facing downwards and the knives with their handles facing upwards.

If the handles protrude from the bottom of the basket, obstructing the lower spray arm, load the cutlery with the handles facing upwards.

Mix spoons with other cutlery to prevent them from sticking together.

For best results we recommend you to use the cutlery grid provided (if the size and dimensions of the cutlery allow it).



The upper basket

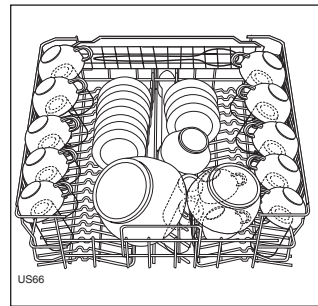
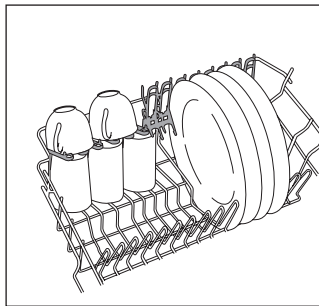
The upper basket is designed for plates (dessert plates, saucers, dinner plates up to 26 cm in diameter), salad bowls, cups and glasses; these should be arranged as shown in the pictures.

Glasses with long stems can be placed upside-down in the raised cup-racks.

The cup-rack on the left folds upwards to increase your loading flexibility.

Arrange items on and underneath the fold-down cup racks so that water can reach all surfaces.

Light items (plastic bowls etc.) must be loaded in the upper basket and arranged so they do not move.



Before closing the door, ensure that the spray arms can rotate freely.

Operating instructions

Adjusting the height of the upper basket

If washing very large plates you can load them in the lower basket after moving the upper basket to the higher position.

	Maximum height of the dishes in:	
	upper basket	lower basket
With upper basket raised	22 cm	33 cm
With upper basket lowered	26 cm	29 cm

To move to the higher position proceed as follows:

1. Pull out the basket until it stops.
2. Carefully lift both sides upwards until the mechanism is engaged and the basket is stable.

Attention!

Never lift or lower the basket on one side only.

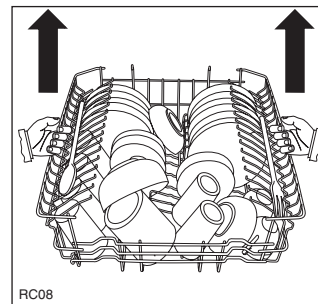
When the basket is in the higher position you will not be able to use the cup rack(s).

To lower the basket to the original position proceed as follows:

1. Pull out the basket until it stops.
2. Carefully lift both sides upwards and then allow the mechanism to drop back down slowly, keeping hold of it.



After loading your machine always close the door, as an open door can be a hazard.



Use of detergent

Only use detergents specifically designed for use in dishwashers.



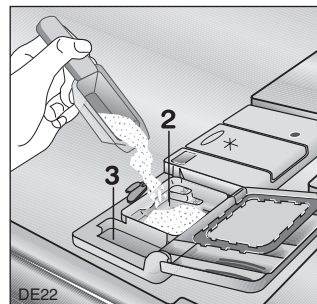
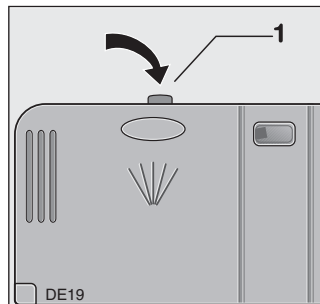
Using no more than the correct amount of detergent contributes to reducing pollution.

Prior to the start of a wash programme (not for the "Rinse and Hold" programme). The detergent is released during the washing phase.

Please observe the manufacturer's dosing and storage recommendations as stated on the detergent packaging.

Fill with detergent

1. If the lid is closed: press release button (1). The lid springs open.
2. Fill the detergent dispenser (2) with detergent.
The marking indicates the dosing levels:
20 = approximately 20 g of detergent
30 = approximately 30 g of detergent



3. All programmes with prewash need an additional detergent dose (5/10 g) that must be placed in the prewash detergent chamber (3). This detergent will take effect during the prewash phase.
4. Close the lid and press until it locks in place.

Operating instructions

Different kinds of detergent

Detergent tablets



Detergent tablets of different brands dissolve at different speeds. For this reason some detergent tablets cannot dissolve and develop their full cleaning power during short programmes. Therefore please use long programmes when using detergent tablets, to ensure the complete removal of detergent residuals.



Do not place the tablets in the tub or in the cutlery basket as this will result in poorer wash results. The tablets should be placed in the detergent dispenser.

Concentrated detergent

Based on their chemical composition, dishwasher detergents can be split into two basic types:

- conventional, alkaline detergents with caustic components.
- low alkaline concentrated detergents with natural enzymes.



The use of 50°C washing programmes in conjunction with concentrated detergents reduces pollution and is good for your dishes; these wash programmes are specially matched to the dirt-dissolving properties of the enzymes in the concentrated detergent. For this reason 50°C wash programmes in which concentrated detergents are used can achieve the same results that can otherwise only be achieved using 65°C programmes.

Combi detergents

If you are using dishwasher detergent that includes the rinse aid function, thi must be placed in the detergent compartment.

In this case it is necessary to deactivate the inflow of rinse aid, in order to avoid a double dosage.

Use of "3 in 1" combi detergents

General advice

These products are detergents with integrated and combined detergent/rinse-aid and salt functions.

1. Before using these products you should first check that the water hardness in your supply is compatible with the use of these products as per the detergent manufacturers (on the product packaging).
2. These products should be strictly used according to the detergent manufacturers instructions.
3. If you encounter problems when using 3 in 1 products for the first time then please contact the detergent manufacturers care line (the telephone number is given on the product packaging).

Special advice

When using combination 3 in 1 products select the "3 in 1" function.

If you decide to turn back to the use of the standard detergent system we advise that you:



- Refill both the salt container and rinse aid dispenser.
- Switch the water hardness setting to the highest possible position and run from 1 to 3 normal washing programmes without a load.
- Readjust the water hardness setting again according to the hardness of the water in your area.

Operating instructions

Washing programmes

Programme	Type of load	Degree of soil	Cycle description					Consumption values ¹	
			Pre-rinse	Main wash	Intermediate	Final rinse	Drying	Energy (kWh)	Water (litres)
AUTOMATIC	Crockery and cutlery	Normal soil	●	●	● 1/2x	●	●	1,10 - 1,50	12 - 25
30 MINUTES.	Crockery and cutlery	Light soil	-	●	-	●	-	0,80	9
70° INTENSIVE	Crockery, cutlery, pots and pans	Heavy soil	●	●	● 2x	●	●	1,70 - 1,90	23 - 25
65° NORMAL	Crockery and cutlery	Normal soil	●	●	●	●	●	1,30 - 1,50	19 - 21
ENERGY ²	Crockery and cutlery	Normal soil	●	●	●	●	●	0,95 - 1,05	13 - 15
50° NORMAL	Crockery and cutlery	Normal soil	●	●	●	●	●	1,0 - 1,1	14 - 16
45° GLASS	Delicate china, delicate crockery and glassware	Normal soil	-	●	●	●	●	0,80 - 0,90	14 - 16
PREWASH	All types of dishes	Partial load (to be completed later in the day)	●	-	-	-	-	0,10	4

- (1) The consumption values were obtained under standardised conditions. They depend on how full the baskets for the dishes are. Variations are therefore possible in practice.
- (2) Testing programme for EN 50242 (see "Hints for Test Centres"). This programme, developed for the use of detergents with enzymes, allows you to achieve, with reduced consumption of energy the same cleaning results that would otherwise be obtained only with the 65°C programmes and conventional detergents. To compensate the lower temperature, the duration of washing and drying have been extended.

"AUTOMATIC" washing programme

During the "AUTOMATIC" washing programme the amount of soil on the dishes is determined by how cloudy the water is.

If the appliance is partially loaded and the dishes lightly soiled, the "prewash", "main wash", and "rinse" phases of the programme are shorter and the water consumption level is lower.

If the appliance is fully loaded and the dishes heavily soiled, the "prewash", "main wash", and "rinse" phases of the programme are longer and the water consumption level is higher.

For this reason the programme duration, water and energy consumption levels can vary within the stated range for AUTOMATIC programme (see "Washing programmes chart").

During the "AUTOMATIC" programme the temperature of the main wash water is also automatically adjusted between 50°C and 65°C depending on the amount of soil on the dishes.

Starting a washing programme

In this fully integrated appliance the controls are located on the top of the door. When selecting a programme, the door needs to be open.

- 1. Check that the baskets have been loaded correctly and that the spray arms can rotate freely**
- 2. Turn on the water tap**
- 3. Press the On/Off push button**
- 4. Setting and starting the programme**

Press DIRECTION buttons until the name of the desired programme is displayed (see "Washing programmes" chart).

Select, if desired, options (see "How to set options").

Press OK START button.

Close the door.

a) if the delay start has not been set, the programme will start automatically.

Once the washing programme has started, a point-shaped optical signal appears on the floor beneath the dishwasher's door.

This optical signal will remain illuminated for all the duration of the washing programme. If the appliance has been installed higher up with a furniture door mounted flush, the optical signal will be no longer visible.

Operating instructions

b) if the delay start has been set, the countdown will start automatically and will decrease with step of 1 hour. Only in the last hour the decrease will occur from minute to minute. Opening the door will not modify or interrupt the countdown. Once the delay start has elapsed the programme will start automatically.

5. To interrupt or cancel a washing programme in progress



Interrupt, or cancel a washing programme in progress ONLY if it's absolutely necessary



Attention! Hot steam may escape when the door is opened. **Open the door carefully.**

Interrupt a washing programme in progress

Open the dishwasher's door; the programme will stop. The message **PLEASE CLOSE DOOR** is displayed. Close the door; the programme will start from the point in which it was interrupted.

Cancel a washing programme in progress

Open the dishwasher's door; the programme will stop. The message **PLEASE CLOSE DOOR** is displayed. Press simultaneously both **OK START** and **OPTION** buttons. The message **CONFIRM CANCEL?** appears in the display. Press **OK START** button.

The dishwasher returns to setting mode and in the display will appear the message **CHOOSE PROGRAMME**.

If a delay start is cancelled, also the set programme has to be set again.

(If a new washing programme will be selected, check that there is detergent in the detergent dispenser).

6. End of the washing programme

The dishwasher will automatically stop: an audible signal informs you of the end of the washing programme.

When the washing programme has ended, the optical signal on the floor beneath the dishwasher's door will turn off.

Open the dishwasher's door only when this optical signal turns off.

If the door is not immediately opened at the end of the programme, air will circulate inside the dishwasher to prevent residual steam recondensing on the dishes as water droplets.

This device operates intermittently for about 20 minutes, as long as the dishwasher is switched on.

If the On/Off push button is pressed or the door is opened during these 20 minutes, the device will be automatically cancelled.

Hot steam may escape from the appliance when opening the door immediately after the end of the programme, therefore, **open the door carefully.**

The message END OF PROGRAMME alternated with PLEASE SWITCH OFF is displayed.

In case refilling with salt and/or rinse aid is necessary, the message PLEASE SWITCH OFF is replaced with the salt and rinse aid refilling messages.

Switch off the dishwasher by pressing the On/Off button.

7. Unloading the dishwasher

Hot dishes are sensitive to knocks. The dishes should therefore be allowed to cool down before removing from the appliance.

Empty the lower basket first and then the upper one; this will avoid water dripping from the upper basket onto the dishes in the lower one.

Water may appear on the sides and the door of the dishwasher as the stainless steel will eventually become cooler than the dishes.



When the washing programme has finished, it is recommended that the dishwasher is unplugged and the water tap turned off.

Operating instructions

Maintenance and cleaning



Clean the external surfaces of the machine and control panel with a damp soft cloth. If necessary use only neutral detergents. Never use abrasive products, scouring pads or solvent (acetone, trichloroethylene etc....).

Ensure that the seals around the door, the detergent and rinse aid dispensers are cleaned regularly with a damp cloth.

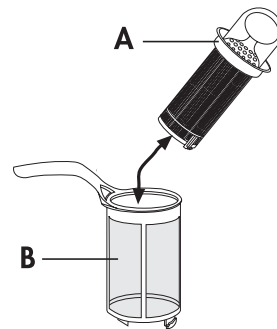
We recommend every 3 months to run a 65°C wash programme without dishes using detergent.

Cleaning the filters

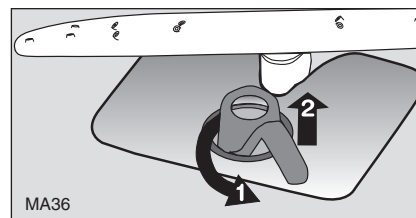
The filters must be checked and cleaned from time to time. Dirty filters will degrade the washing result.

1. Open the door, remove the lower basket.
2. The dishwasher filter system comprises a coarse (A), a microfilter (B) and a flat filter (C).

Unlock the filter system using the handle on the microfilter, and remove.

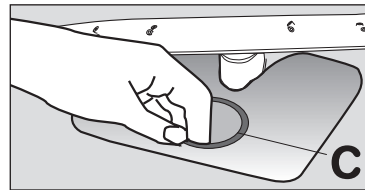


3. Turn the handle about $\frac{1}{4}$ a turn anticlockwise and remove.



Operating instructions

4. Take hold of the coarse (A) by the handle with the hole and remove from the microfilter (B).
5. Clean all filters thoroughly under running water.
6. Remove the flat filter (C) from the base of the washing compartment and clean both faces thoroughly.



7. Put the flat filter (C) back in the base of the washing compartment.
8. Place the coarse (A) in the microfilter (B) and press together.
9. Put the filter combination in place and lock by turning the handle clockwise to the stop. During this process ensure that the flat filter does not protrude above the base of the washing compartment.

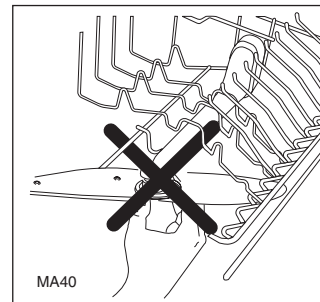


Under no circumstances may the dishwasher be used without filters.

Incorrect repositioning and fitting of the filters will produce poor washing results.

NEVER try to remove the upper spray arm.

If residues of soil have clogged the holes in the upper spray arm, remove them with a toothpick.



Operating instructions

Prolonged periods of non-operation

If you are not using the machine for any period of time you are advised to:

1. Unplug the appliance and then turn off the water.
2. Leave the door ajar to prevent the formation of any unpleasant smells.
3. Leave the inside of the machine clean.

Frost precautions

Avoid placing the machine in a location where the temperature is below 0°C. If this is unavoidable, empty the machine, close the appliance door, disconnect the water inlet pipe and empty it.

Moving the machine

If you have to move the machine (moving house etc...):

1. Unplug it.
2. Turn the water tap off.
3. Remove the water inlet and discharge hoses.
4. Pull the machine out together with the hoses.

Avoid over tilting the machine during transportation.

What to do, when...

Certain problems are due to the lack of simple maintenance or oversights, which can be solved with the help of the instructions given here, without calling out an engineer.

...alarm messages or codes are displayed

The dishwasher will not start or stops during operation.

The intervention of an alarm is indicated by:

- a continuous sequence of intermittent audible signals
- the point-shaped optical signal on the floor beneath the dishwasher's door is flashing.

Open the dishwasher's door, a message or a code (as indicated in the following chart) is displayed. In digital display is visible a fault code (see following chart).

Carry out the following suggested corrective actions.

Fault code / message	Possible cause	Solutions
in the digital display appears "OPEN THE TAP" The machine does not fill with water	The water tap is blocked or furred with limescale.	Clean the water tap.
	The water tap is turned off.	Turn the water tap on.
	The filter (where present) in the threaded hose fitting at the water inlet valve is blocked.	Clean the filter in the threaded hose fitting.
	The water inlet hose has not been correctly laid or it is bent or squashed.	Check the water inlet hose connection.
in the digital display appears "DRAIN BLOCKED" The dishwasher will not drain	The siphon is blocked.	Clean out the siphon.
	The water drain hose has not been correctly laid or it is bent or squashed.	Check the water drain hose connection.
in the digital display appears E0	Protection against flooding is active.	Close the water tap and contact your local Service Force Centre.

Operating instructions

Once the checks have been carried out, to continue the programme press **OK START** button and close the door. The programme will continue from the point in which it was interrupted. If the fault code reappears contact your local Service Force Centre.

For other combinations of fault codes not described in the above chart will appear, please contact your local Service Force Centre.

...there are problems when operating the dishwasher

Fault	Possible cause	Solutions
The programme does not start	The dishwasher door has not been properly closed.	Close the door.
	The main plug is not plugged in.	Insert the mains plug.
	The fuse has blown in the household fuse box.	Replace the fuse.
	For dishwasher models with delay start option: Delay start has been selected.	If dishes are to be washed immediately, cancel the delay start.
There is a whistling noise during washing	The whistling is not a cause for concern.	Use a different brand of detergent.

...the wash results are not satisfactory

The dishes are not clean

- The wrong washing programme has been selected.
- The dishes were arranged in such a way as to stop water reaching all parts of the surface. The baskets must not be overloaded.
- The spray arms do not rotate freely due to wrong arrangement of the load.
- The filters in the base of the washing compartment are dirty or incorrectly positioned.
- Too little or no detergent has been used.
- Where there are limescales deposits on the dishes; the salt container is empty or the wrong level of the water softener has been selected.
- The drain hose connection is not correct.
- The salt container cap is not properly closed.

The dishes are wet and dull

- Rinse aid was not used.
- The rinse aid dispenser is empty.

There are streaks, milky spots or a bluish coating on glasses and dishes

- Decrease rinse aid dosing.

Water drops have dried onto glasses and dishes

- Increase rinse aid dosing.
- The detergent may be the cause. Contact the detergent manufacturer's consumer care line.

Service

Service

If after all these checks, the problem persists, contact your local Service Force Centre, quoting the model (Mod.), product number (PNC) and serial number (S.N.).

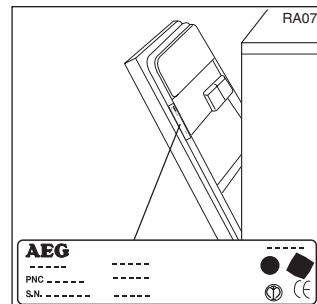
This information can be found on the rating plate located on the side of the dishwasher door (see picture).

So that you always have these numbers at hand, we recommend you to make a note of them here:

Mod. :

PNC :

S.N. :



Service and spare parts

This product should be serviced by an authorised service engineer, and only genuine spare parts should be used.

Under no circumstances should you attempt to repair the machine yourself.

Repairs carried out by inexperienced persons may cause injury or serious malfunctioning. Contact your local Service Force Centre.

Always insist on genuine spare parts.

Operating instructions

Technical specifications

Dimensions:	Width	59.6 cm
	Height	86.8 - 94.8 cm
	Max depth	55.5 cm
	Max depth with open door	119 cm
Electrical connection:	Information on the electrical connection is given on the rating plate on the inner edge of the dishwasher's door.	
Voltage		
Overall power		
Fuse		
Water supply pressure:	Minimum	50 kPa (0.5 bar)
	Maximum	800 kPa (8 bar)
Capacity:	12 place settings	

CE This appliance complies with the following E.E.C. Directives:

- 73/23 or 19.2.73 (Low Voltage Directive) and subsequent modifications;
- 89/336 or 3.5.89 (Electromagnetic Compatibility Directive) and subsequent modifications.

Installation instructions

Installation instructions



Any electrical and/or plumbing work required to install this appliance should be carried out by a qualified electrician and/or plumber or competent person.

Remove all packaging before positioning the machine.

If possible, position the machine next to a water tap and a drain.

Building-in

This dishwasher is designed to be fitted under a kitchen counter or worksurface.

Attention!

Carefully follow the instructions on the enclosed template for building in the dishwasher and fitting the furniture panel.

No further openings for the venting of the dishwasher are required, but only to let the water fill and drain hose and power supply cable pass through.

The dishwasher incorporates adjustable feet to allow the adjustment of the height.

During all operations that involve accessibility to internal components the dishwasher has to be unplugged.

When inserting the machine, ensure that the water inlet hose, the drain hose and the supply cable are not kinked or squashed.

Levelling

Good levelling is essential for correct closure and sealing of the door.

When the appliance is correctly levelled, the door will not catch on either side of the cabinet.

If the door does not close correctly, loosen or tighten the adjustable feet until the machine is perfectly level.

Fixing to the adjacent units

The dishwasher must be secured against tilting.

Therefore make sure that the counter it is fixed under, is suitably secured to a fixed structure (adjacent kitchen units cabinets, wall).

Water supply connections

This dishwasher may be fed with either hot (max. 60°) or cold water. Nevertheless we advise you a cold water supply.

A hot water supply is not always efficient with very soiled crockery as it shortens the washing programmes a lot.

For making the connection itself, the coupling nut fitted to the machine's supply hose is designed to screw onto either a 3/4" inch gas thread spout or to a purpose made quick-coupling tap such as the Press-block.

The water pressure must be within the limits given in the "Technical specifications". Your local Water Authority will advise you on the average mains pressure in your area.

The water inlet hose must not be kinked, crushed, or entangled when it is being connected up.

The dishwasher features fill and drain hoses which can be turned either to the left or the right to suit the installation by means of the locknut. **The locknut must be correctly fitted to avoid water leaks.** (**Attention! NOT all models of dishwashers have fill and drain hoses provided with locknut. In this case, this kind of facility is not possible.**)

If the machine is connected to new pipes or pipes which have not been used for a long time, you should run the water for a few minutes before connecting the inlet hose.



Do not use, for connection, old hoses which have been used in another appliance.

The dishwasher is fitted with safety devices that prevent the wash water returning into the drinking water system and comply with the applicable plumbing regulations.

Installation instructions

Water inlet hose with safety valve

After connecting the double-walled water inlet hose, the safety valve is next to the tap. Therefore the water inlet hose is only under pressure while the water is running. If the water inlet hose starts to leak during this operation, the safety valve cuts off the running water.

Please take care when installing the water inlet hose:

- The electrical cable for the safety valve is in the double-walled water inlet hose. Do not immerse the water inlet hose or the safety valve in water.
- If water inlet hose or the safety valve is damaged, remove the mains plug immediately.
- A water inlet hose with safety valve must only be replaced by a specialist or by the consumer services department.
- Place the water inlet hose in such a way that it is never higher than the bottom edge of the safety valve.

Water outlet hose connection

The end of the drain hose can be connected in the following ways:

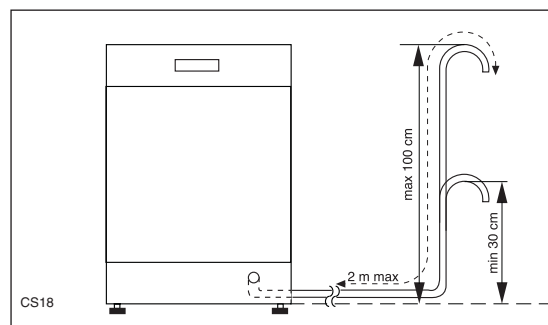
1. To the sink outlet spigot, securing it to the underside of the work surface. This will prevent waste water from the sink running into the machine.
2. Hooked over the edge of the sink using the special curved plastic guide (*if provided with the machine*).
3. To a stand pipe provided with vent-hole, minimum internal diameter 4 cm.

The waste connection must be at a height of between 30 cm (minimum) and 100 cm (maximum) from the bottom of the dishwasher.

The drain hose can face either to the right or left of the dishwasher. Ensure the hose is not bent or squashed as this could prevent or slow down the discharge of water.

The sink plug must not be in place when the machine is draining as this could cause the water to siphon back into the machine.

If you use a drain hose extension it must be no longer than 2 metres and its internal diameter must be no smaller than the diameter of the hose provided.



Likewise the internal diameter of the couplings used for connections to the waste outlet must be no smaller than the diameter of the hose provided.

Attention!

*Our appliances are supplied with a security device to protect against the return of dirty water back into the machine.
If the spigot of your sink has a "no return valve" incorporated this can prevent the correct draining of your dishwasher.
We advise you therefore to remove it.*

Installation instructions

Electrical connection

Information concerning the electrical connection is given on the rating plate on the edge of the dishwasher's door.

Before plugging the appliance into the wall socket, make sure that:

1. The mains voltage and current rating at the site of installation match the nominal voltage and current rating given on the rating plate.
2. The meter, fuses, mains power supply and wall socket can all take the maximum load required. Make sure that the socket and plug are compatible without having to use any type of adaptor. If necessary, have the domestic wiring system socket replaced.

To isolate the dishwasher from mains, remove the mains plug.



Important!

The plug must still be accessible after the appliance has been installed.

In case that the electrical cable has to be replaced, please contact your local consumer services department.

The appliance should not be connected to the electrical supply by means of an extension cable.

Safety standards require the appliance to be earthed.

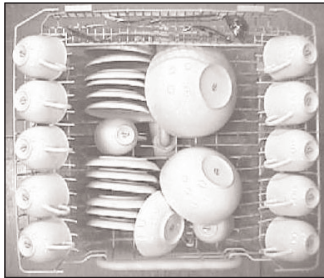
The manufacture accepts no liability for failure to observe the above safety precautions.

Hints for test centres

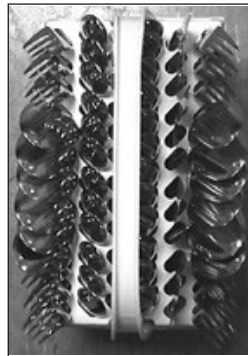
Testing in accordance with **EN 60704** must be carried out with appliance fully loaded and using the test programme (see "Washing programmes" chart).

Testing in accordance with **EN 60242** must be carried out when the salt dispenser and rinse aid container have been filled with salt and rinse aid respectively and using the test programme (see "Washing programmes" chart).

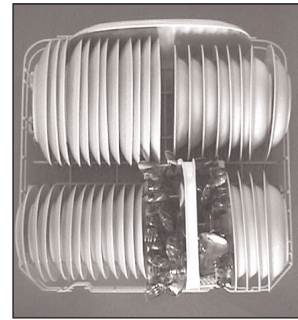
Load:	12 standard place settings
Rinse aid setting	Position 4 (type III)
Detergent dosage:	5 g + 25 g (type B)



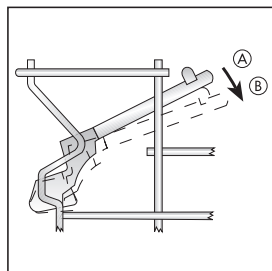
Arrangement
upper basket:



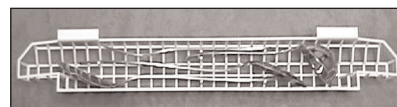
Arrangement
cutlery basket



Arrangement
lower basket



Cup racks: position A



Arrangement
knives basket

 **From the Electrolux Group. The world's No.1 choice.**

The Electrolux Group is the world's largest producer of powered appliances for kitchen, cleaning and outdoor use. More than 55 million Electrolux Group products (such as refrigerators, cookers, vacuum cleaners, chain saws and lawn mowers) are sold each year to a value of approx. 14 billion USD in more than 150 countries around the world.

AEG Hausgeräte GmbH
Postfach 1036
D-90327 Nürnberg
<http://www.aeg.hausgeraete.de>

© Copyright by AEG

152 963 99/1

Subject to change without notice

 08/04